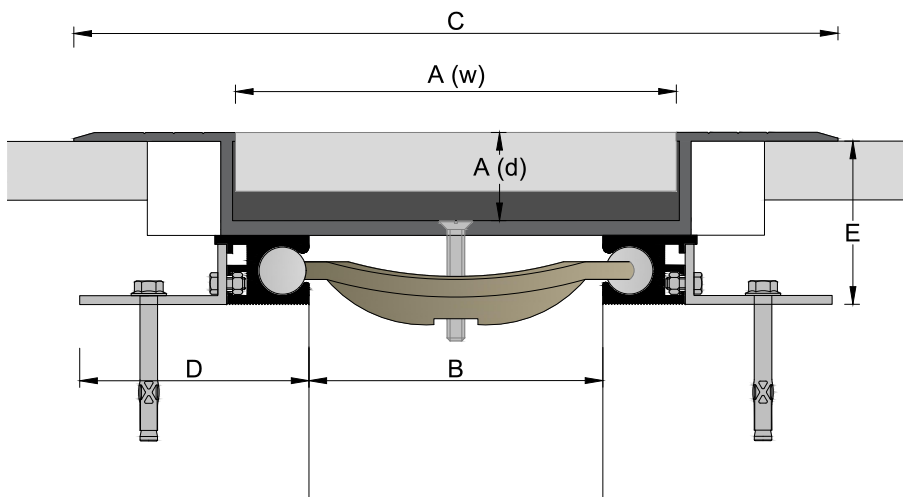
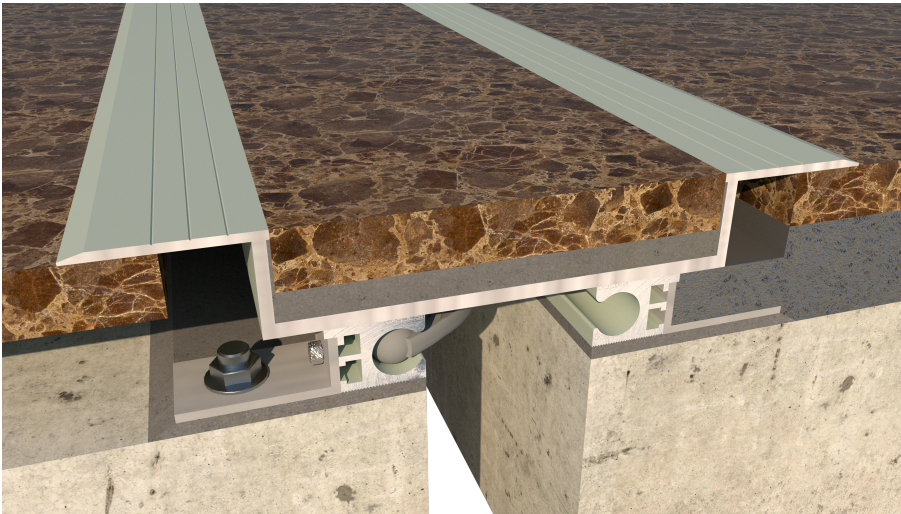
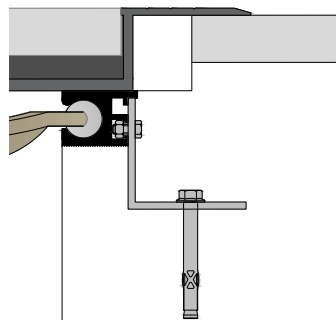


Flexo CP Coverplate EJs

Flexo CP: A tile-inlay type coverplate expansion joint system. Offering multi-directional movement, FxCP accommodates substantial movement and is suited for integration with thick floor finishes such as pavers, tiles and concrete. FxCP can be supplied with coverplates finished in natural and colour anodised aluminium, or bead-blasted. FxCP offers less obtrusive visual presence than other systems. It is ideal for landscape or streetscape for commercial and public buildings, stadiums, etc.



Height Bracket Options:



Product	A: Coverplate		B: Gap				C: Exposed Width			E: Depth
	Width	Depth	Min.	Mid.	Max.	Mvmt.	Min.	Mid.	Max.	
Fx150CP Small	150	30	55	100	145	90	260	260	260	56
Fx150CP Medium	150	30	55	100	145	90	260	260	260	71
Fx150CP Large	150	30	55	100	145	90	260	260	260	91
Fx150CP Extra Large	150	30	55	100	145	90	260	260	260	113

Block Out: 80D x E

Disclaimer: All design rights reserved. Design and specifications are subject to change without notice. The manufacturer does not accept liability where the material on these pages is misconceived, exploited, or lacks conformity. The intention of this information is to provide a reasonable description of products, procedures and capabilities. Rev. 1



Fx CP



Multi-directional



Performance

- Concealed Fixings
- High Capacity
- Low Maintenance

- Bead blasted cover plate
Slip resistance Class P5
- Anodised Aluminium cover plate
Slip resistance Class P3
- Tested to AS4586 2013

Compatible Finishes

- Paving
- Tiles
- Concrete

Standard Length
4.8m

Standard Finish
Anodised Aluminium

Options



Bead Blasted

