



**unison**  
JOINTS



**UNISON JOINTS Pty. Ltd.**

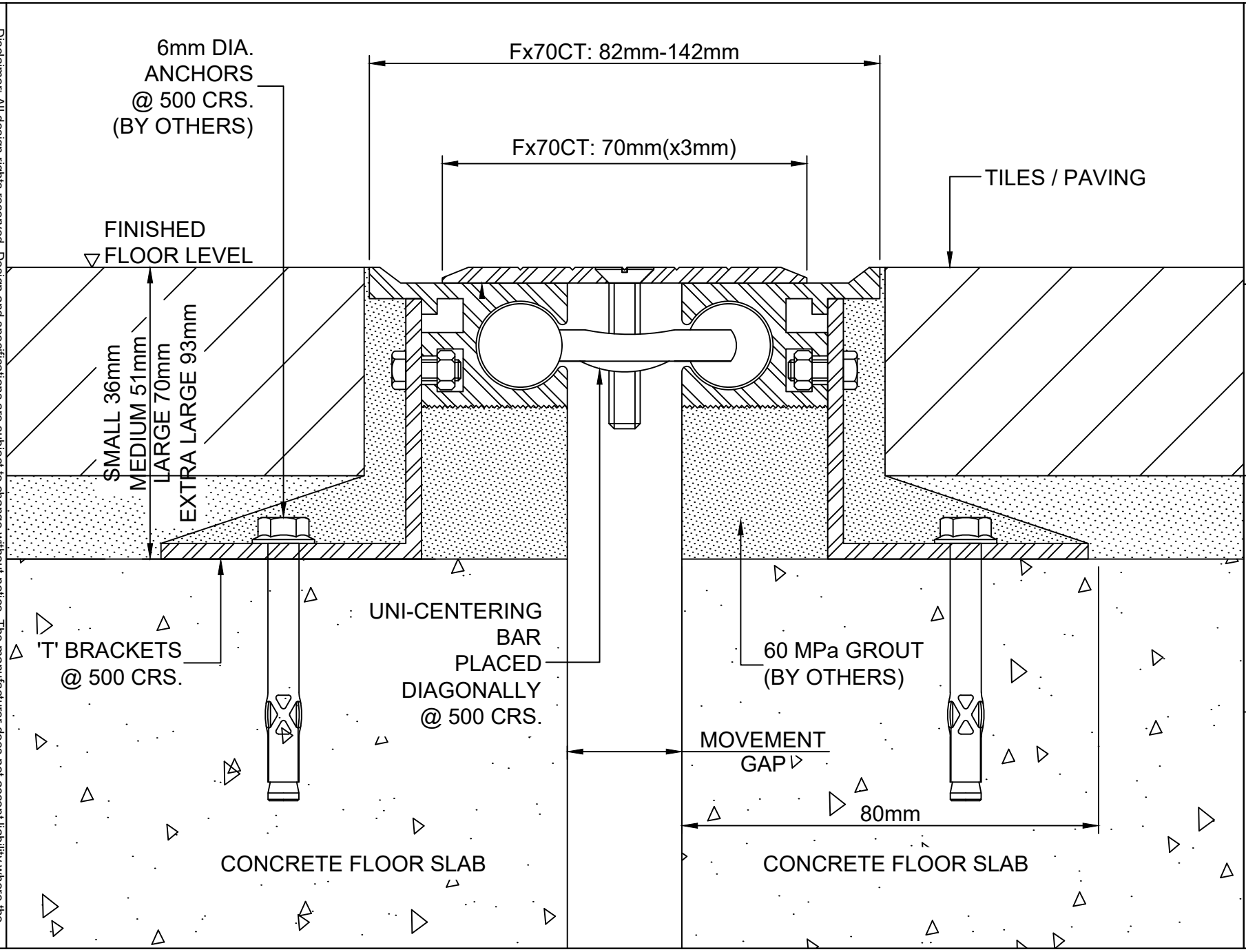
Ph: 1300 214 015  
info@unisonjoints.com.au  
2/282 New Cleveland Rd  
Tingalpa, Queensland 4173

Model:

**FX70CT**  
(UAC70T)

Project:

Material:  
**Anodised Aluminium**  
**Do Not Scale**



6mm DIA. ANCHORS @ 500 CRS. (BY OTHERS)

FX70CT: 82mm-142mm

FX70CT: 70mm(x3mm)

TILES / PAVING

FINISHED FLOOR LEVEL

SMALL 36mm  
MEDIUM 51mm  
LARGE 70mm  
EXTRA LARGE 93mm

UNI-CENTERING BAR PLACED DIAGONALLY @ 500 CRS.

'T' BRACKETS @ 500 CRS.

60 MPa GROUT (BY OTHERS)

MOVEMENT GAP

80mm

CONCRETE FLOOR SLAB

CONCRETE FLOOR SLAB

Disclaimer: All design rights reserved. Design and specifications are subject to change without notice. The manufacturer does not accept liability where the material on these pages is misconceived, exploited or lacks conformity. The intention of this information is to provide a reasonable description of products, procedures and capabilities. Rev.3