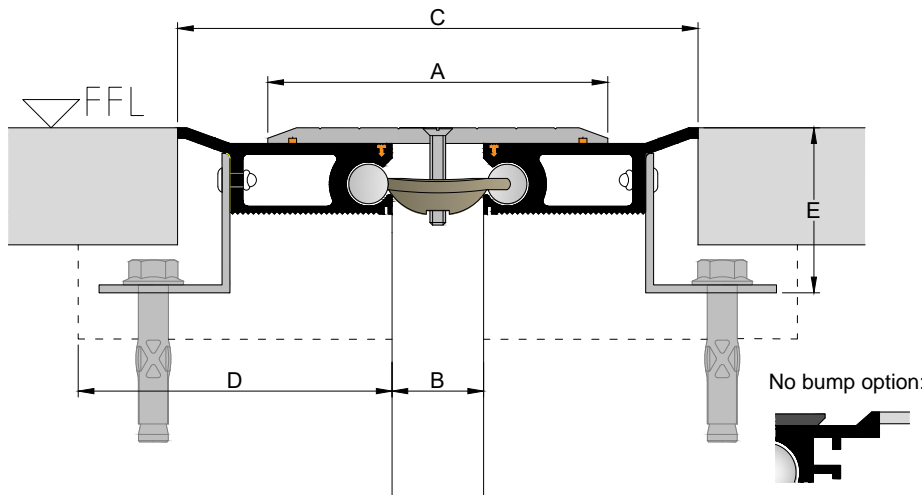
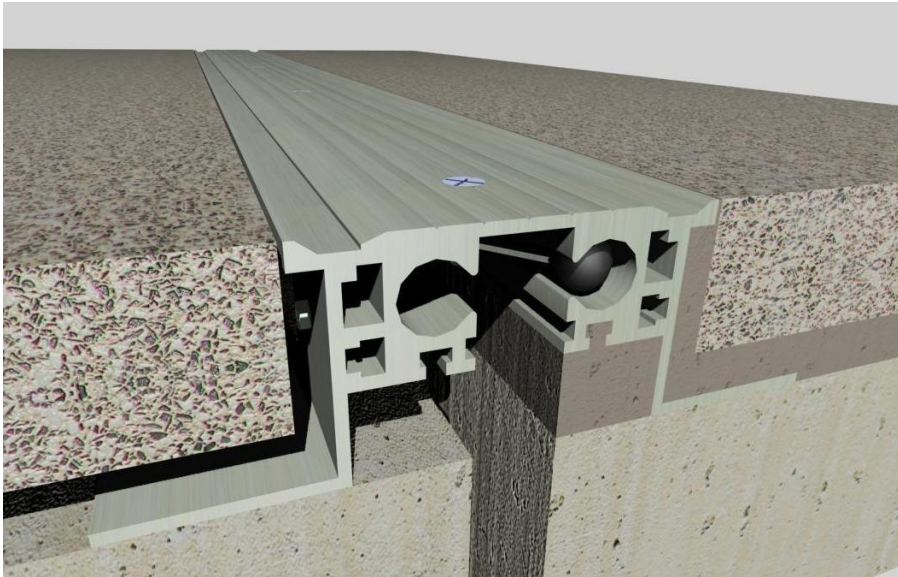


# Flexo CT Coverplate EJs

**Flexo CT:** Developed from the FxC range which is the most widely used floor coverplate expansion joint system. FxCT is suited for integration with deep floor finishes such as terrazzo, pavers, marble, granite and other stone-tiles. FxCT can be supplied with coverplates finished in stainless steel, natural and colour anodised aluminium, or bead-blasted. It is used in retail centres, airports terminals, apartment developments, public buildings etc.



Product	A: Coverplate		B: Gap				C: Exposed Width			E: Depth
	Width	Thick	Min.	Mid.	Max.	Mvmt.	Min.	Mid.	Max.	
Fx50CT Small	50	3	6	26	46	40	63	83	103	36
Fx50CT Medium	50	3	6	21	46	40	63	78	103	51
Fx50CT Large	50	3	6	21	46	40	63	78	103	71
Fx50CT Extra Large	50	3	6	21	46	40	63	78	103	93
Fx70CT Small	70	3	6	39	66	60	82	112	142	36
Fx70CT Medium	70	3	6	39	66	60	82	112	142	51
Fx70CT Large	70	3	6	39	66	60	82	112	142	71
Fx70CT Extra Large	70	3	6	39	66	60	82	112	142	93
Fx100CT Small	100	3	36	84	96	60	112	142	172	36
Fx100CT Medium	100	3	36	84	96	60	112	142	172	51
Fx100CT Large	100	3	36	84	96	60	112	142	172	71
Fx100CT Extra Large	100	3	36	84	96	60	112	142	172	93
Fx165CT Small	165	5	101	182	161	60	177	207	237	36
Fx165CT Medium	165	5	101	182	161	60	177	207	237	51
Fx165CT Large	165	5	101	182	161	60	177	207	237	71
Fx165CT Extra Large	165	5	101	182	161	60	177	207	237	93

### Block Out: 80D x E

Disclaimer: All design rights reserved. Design and specifications are subject to change without notice. The manufacturer does not accept liability where the material on these pages is misconceived, exploited, or lacks conformity. The intention of this information is to provide a reasonable description of products, procedures and capabilities. Rev.7



## Fx CT

Previous Model No: UAC T



### Performance

- Concealed Fixings
- Thermally Dynamic
- High Capacity
- Low Maintenance

**Bead blasted cover plate**  
**Slip resistance Class V**  
**Tested to AS4586 2013**

### Compatible Finishes

Tiles / Paver / Terrazzo  
Exposed Aggregate / Stone / Granite

### Standard Length

4.8m

### Standard Finish

Anodised Aluminium

### Options

