



Ph: 1300 214 015
 info@unisonjoints.com.au
 2/282 New Cleveland Rd
 Tingalpa, Queensland 4173



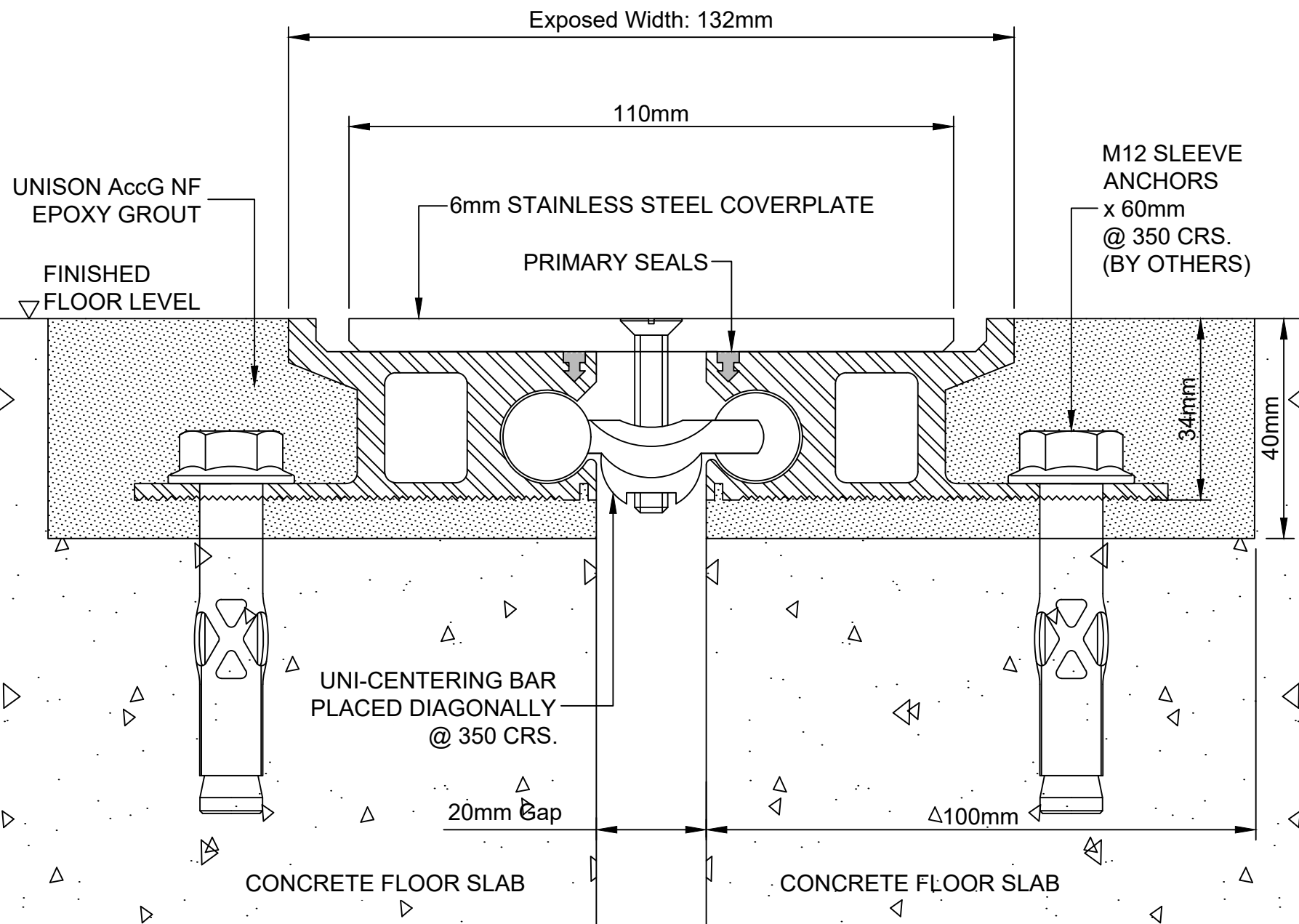
UNISON JOINTS Pty. Ltd.

Model:

Project:

By110CS

Material:
Stainless Steel & Anodised Aluminium
Do Not Scale



Exposed Width: 132mm

110mm

M12 SLEEVE ANCHORS x 60mm @ 350 CRS. (BY OTHERS)

UNISON AccG NF EPOXY GROUT

FINISHED FLOOR LEVEL

6mm STAINLESS STEEL COVERPLATE

PRIMARY SEALS

34mm

40mm

UNI-CENTERING BAR PLACED DIAGONALLY @ 350 CRS.

20mm Gap

100mm

CONCRETE FLOOR SLAB

CONCRETE FLOOR SLAB

Disclaimer: All design rights reserved. Design and specifications are subject to change without notice. The manufacturer does not accept liability where the material on these pages is misconceived, exploited or lacks conformity. The intention of this information is to provide a reasonable description of products, procedures and capabilities. This drawing is produced Rev.7