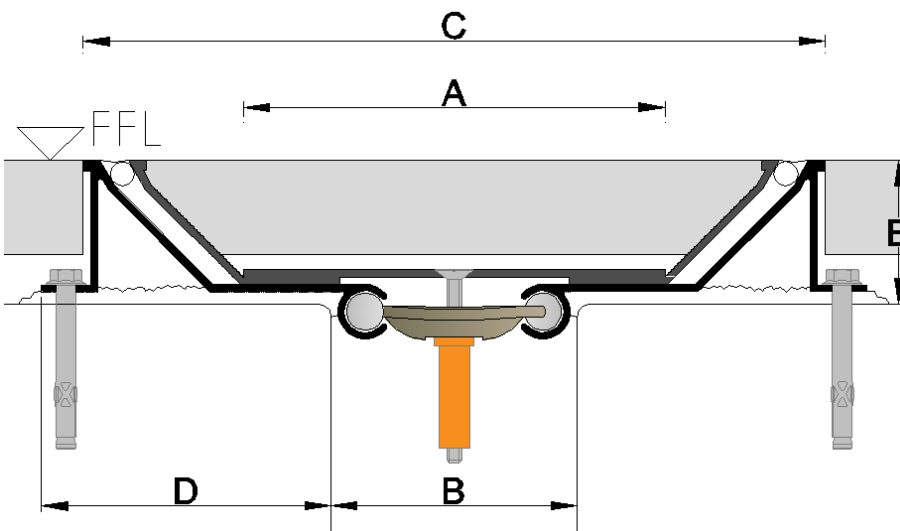
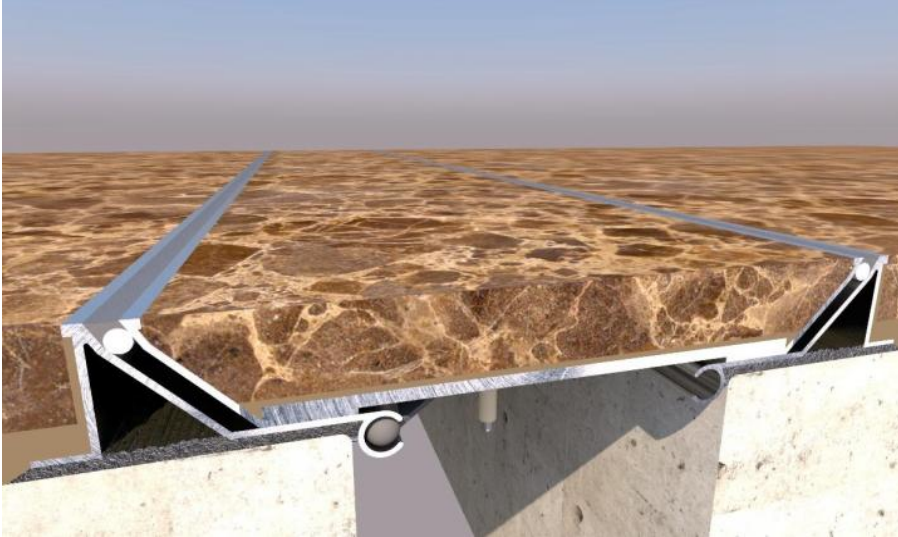


SeiMax T Coverplate EJs

SeiMax T: An architectural floor expansion joint system. It has a deep 'pan' type coverplate to suit thick floor finishes such as terrazzo, granite, stone etc. The caulked edges split thermal movement in two, and minimise visual presence. SiT accommodates multi-directional and seismic movement. The system is finished in mill finish alloy. Suitable for use in commercial and government buildings such as shopping malls, airport terminals, convention and exhibition centres, hospitals.



Si T

Previous Model No: SUACT



Performance

- Thermal & seismic movement
- Concealed fixings
- Minimum visual impact
- High Capacity

Compatible Finishes

- Tiles
- Vinyl
- Stone
- Epoxy
- Terrazzo
- Exposed Concrete

Standard Length

4.8m

Standard Finish

Anodised Aluminium

Options



Product	A: Coverplate Width	B: Gap				C: Exposed Width			Seismic Movement
		Min.	Mid.	Max.	Mvmt.	Min.	Mid.	Max.	
Si170T	170	76	100	124	48	276	300	324	78
Si270T	270	176	200	224	48	376	400	424	162
Si370T	370	276	300	324	48	476	500	524	262
Si470T	470	376	400	424	48	576	600	624	362
Si570T	570	476	500	524	48	676	700	724	462
Si670T	670	576	600	624	48	776	800	824	562
Si770T	770	676	700	724	48	876	900	924	662

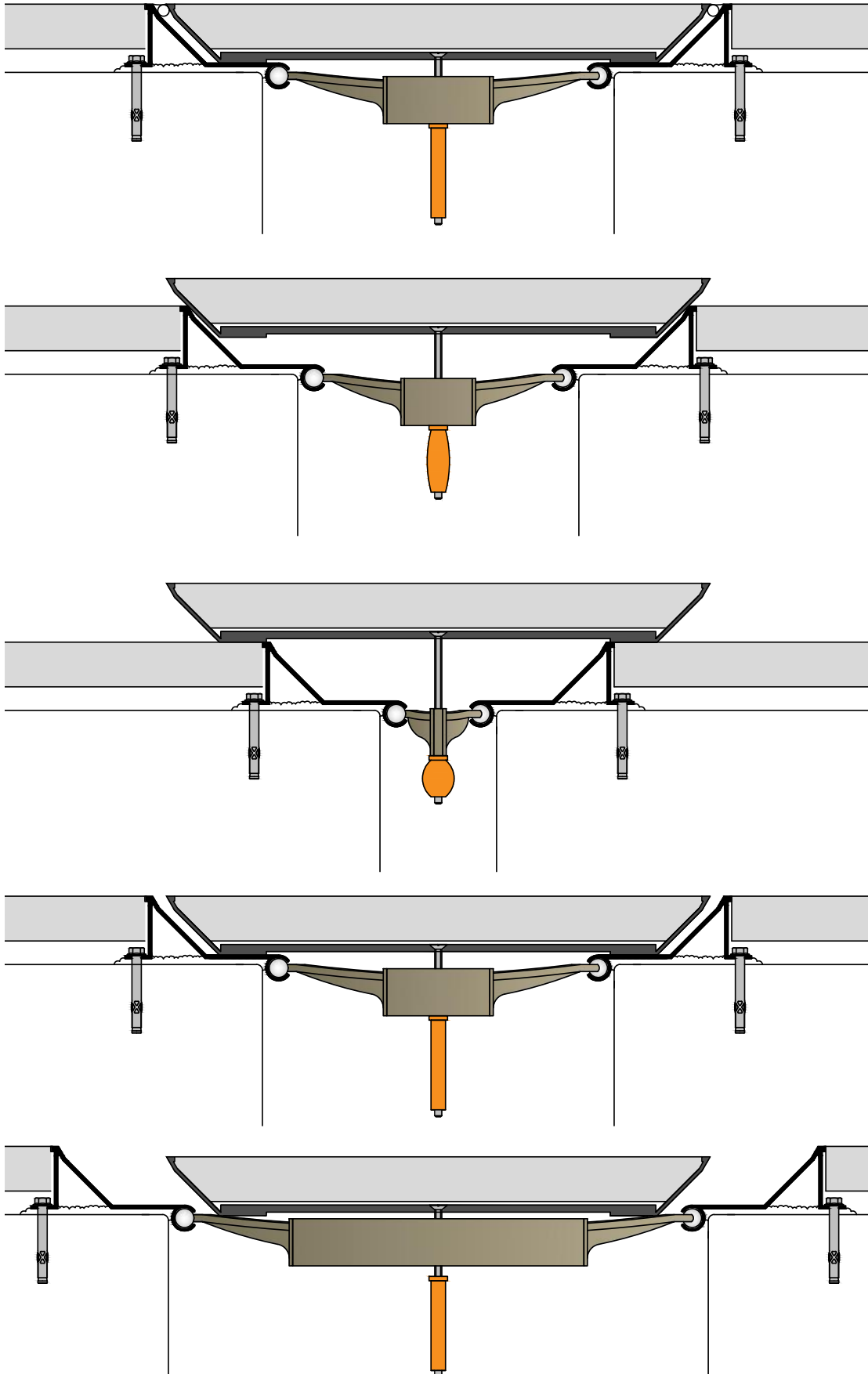
Block Out: 120D x 60E

Disclaimer: All design rights reserved. Design and specifications are subject to change without notice. The manufacturer does not accept liability where the material on these pages is misconceived, exploited, or lacks conformity. The intention of this information is to provide a reasonable description of products, procedures and capabilities. Rev.5

SeiMax T Coverplate EJs



Si T Seismic Movement Demonstration:



Disclaimer: All design rights reserved. Design and specifications are subject to change without notice. The manufacturer does not accept liability where the material on these pages is misconceived, exploited, or lacks conformity. The intention of this information is to provide a reasonable description of products, procedures and capabilities. Rev.6