



unison
JOINTS



UNISON JOINTS
Pty. Ltd.

Ph: 1300 214 015
info@unisonjoints.com.au
2/282 New Cleveland Rd
Tingalpa, Queensland 4173

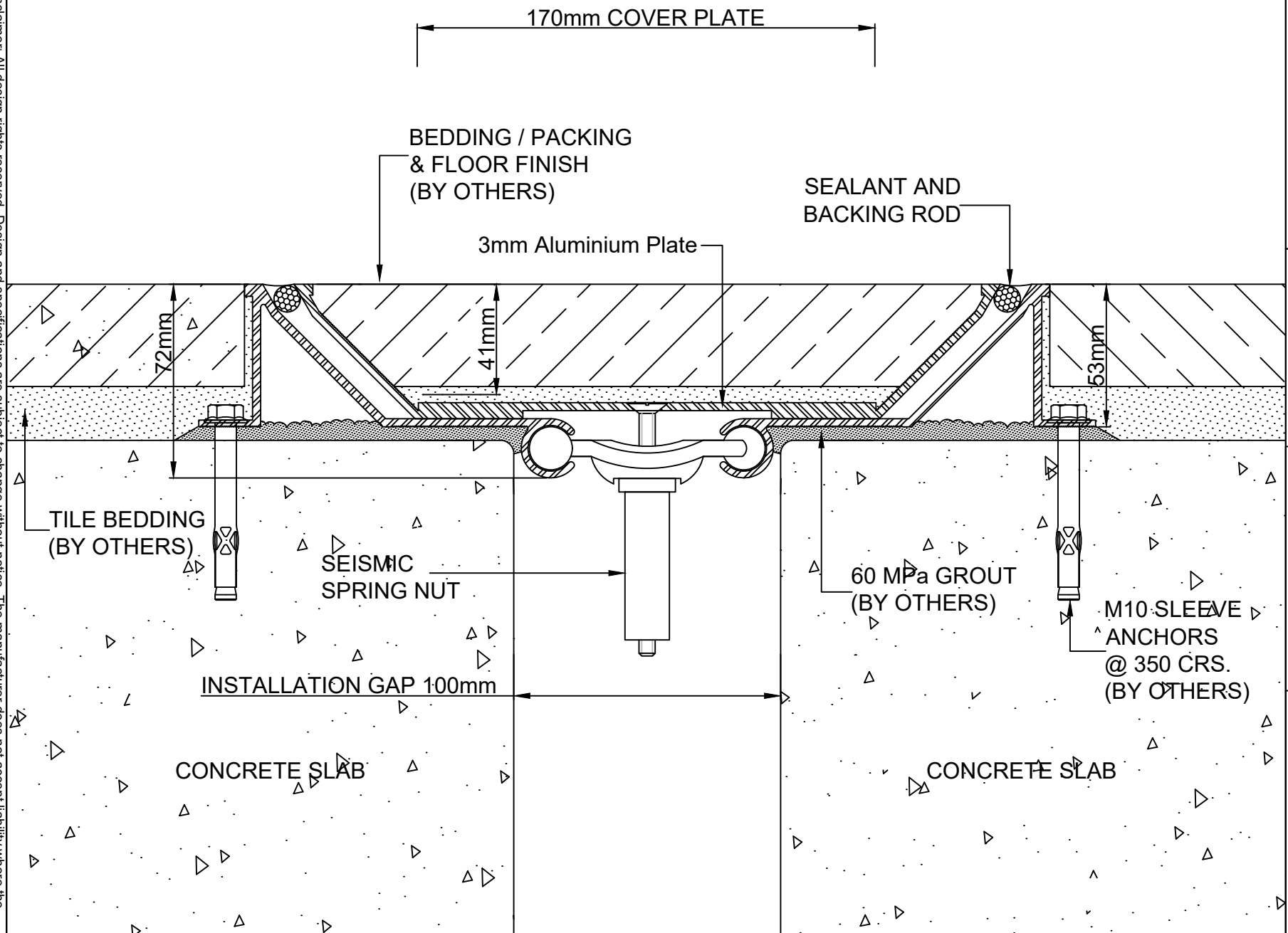
Model:

Si170T

Project:

Material:

Anodised Aluminium
Do Not Scale



170mm COVER PLATE

BEDDING / PACKING
& FLOOR FINISH
(BY OTHERS)

SEALANT AND
BACKING ROD

3mm Aluminium Plate

72mm

41mm

63mm

TILE BEDDING
(BY OTHERS)

SEISMIC
SPRING NUT

60 MPa GROUT
(BY OTHERS)

M10 SLEEVE
ANCHORS
@ 350 CRS.
(BY OTHERS)

INSTALLATION GAP 100mm

CONCRETE SLAB

CONCRETE SLAB

Disclaimer: All design rights reserved. Design and specifications are subject to change without notice. The manufacturer does not accept liability where the material on these pages is misconceived, exploited or lacks conformity. The intention of this information is to provide a reasonable description of products, procedures and capabilities. Rev.3