



**unison**  
JOINTS



Ph: 1300 214 015  
info@unisonjoints.com.au  
2/282 New Cleveland Rd  
Tingalpa, Queensland 4173

**UNISON JOINTS Pty. Ltd.**

Model:

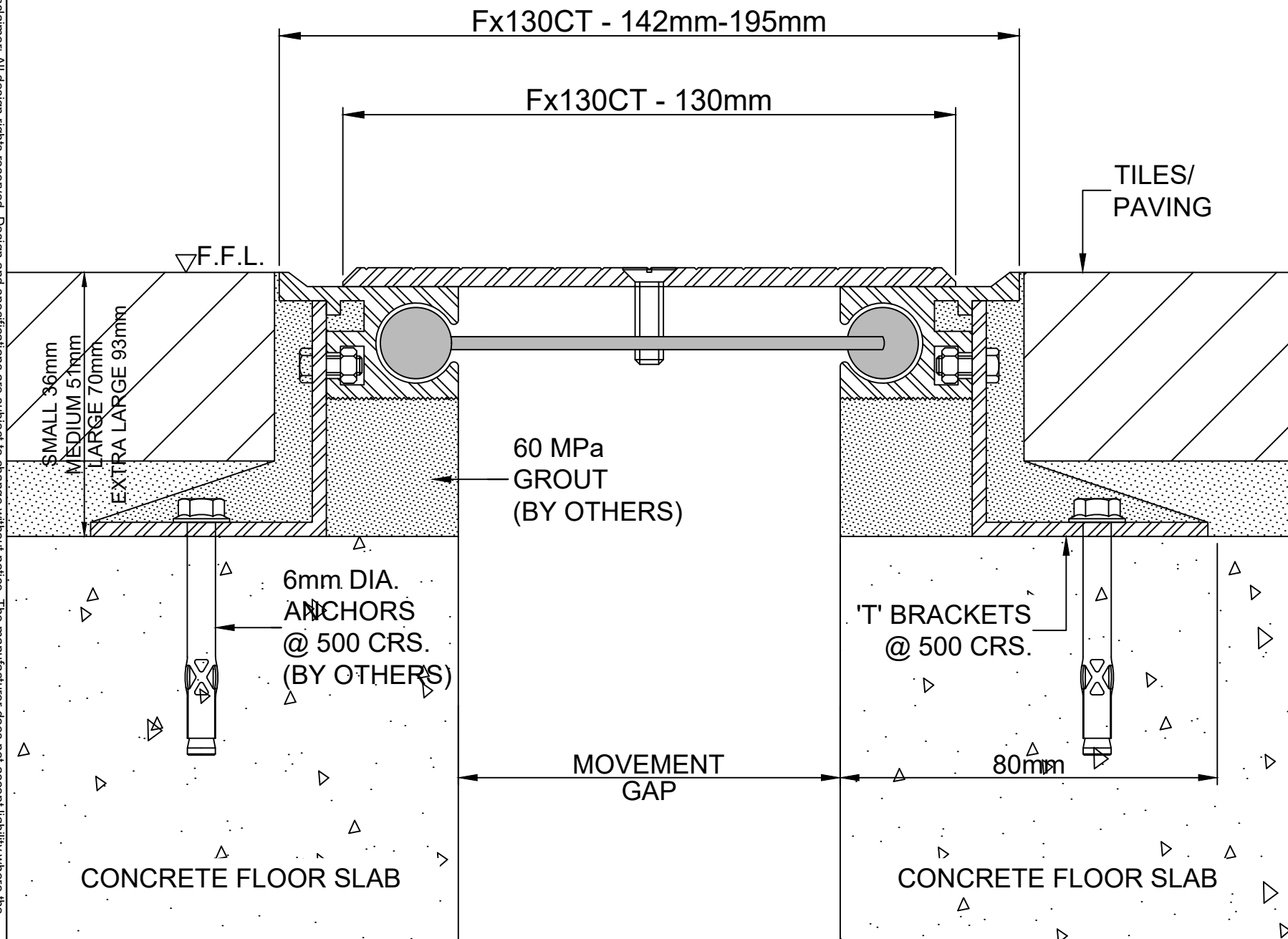
Project:

**FX130CT**  
(UAC130T)

Material:

Anodised Aluminium

**Do Not Scale**



Fx130CT - 142mm-195mm

Fx130CT - 130mm

TILES/  
PAVING

F.F.L.

SMALL 36mm  
MEDIUM 70mm  
LARGE 93mm  
EXTRA LARGE 93mm

60 MPa  
GROUT  
(BY OTHERS)

6mm DIA.  
ANCHORS  
@ 500 CRS.  
(BY OTHERS)

'T' BRACKETS  
@ 500 CRS.

MOVEMENT  
GAP

80mm

CONCRETE FLOOR SLAB

CONCRETE FLOOR SLAB

Disclaimer: All design rights reserved. Design and specifications are subject to change without notice. The manufacturer does not accept liability where the material on these pages is misconceived, exploited or lacks conformity. The intention of this information is to provide a reasonable description of products, procedures and capabilities. Rev.1