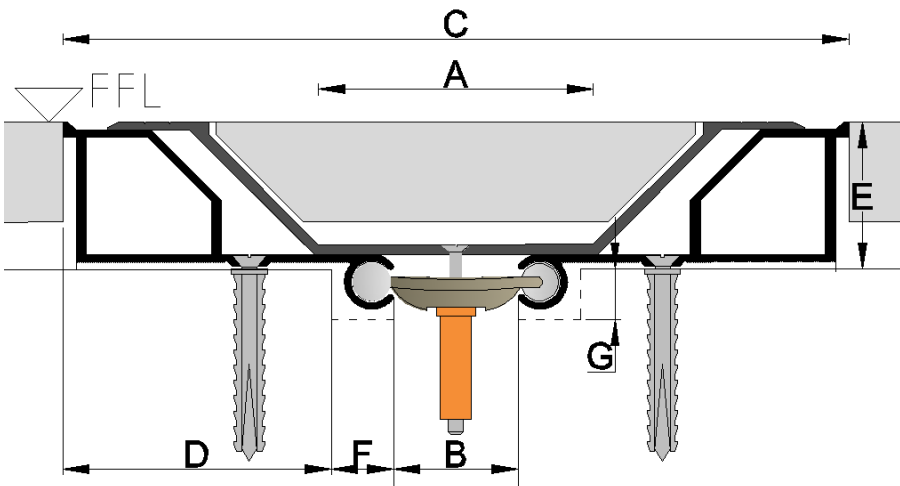


# SeiMax G Coverplate EJs

**SeiMax G:** An architectural floor expansion joint system. It has a deep 'pan' type coverplate to suit thick floor finishes such as terrazzo, granite, stone etc. SiG accommodates multi-directional and seismic movement. The system is finished in natural anodised alloy. Suitable for use in commercial and government buildings such as shopping malls, airport terminals, convention and exhibition centres.



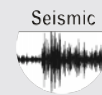
Product	A: Coverplate Width	B: Gap				C: Exposed Width			Seismic Movement
		Min.	Mid.	Max.	Mvmt.	Min.	Mid.	Max.	
Si110G	110	25	53	80	55	290	318	345	77
Si170G	170	85	113	140	55	360	388	415	137
Si270G	270	185	213	240	55	460	488	515	237
Si370G	370	285	313	340	55	560	588	615	337

**Block Out: 110D x 60E x 25F x 20G**



## Si G

Previous Model No: GBR



### Performance

- Thermal & seismic movement
- Concealed fixings
- High Capacity
- Low Maintenance

### Compatible Finishes

- Tiles
- Vinyl
- Paving
- Epoxy
- Terrazzo
- Exposed Concrete

### Standard Length

4.8m

### Standard Finish

Anodised Aluminium

### Options

Clear Anodised



Bead Blasted



Disclaimer: All design rights reserved. Design and specifications are subject to change without notice. The manufacturer does not accept liability where the material on these pages is misconceived, exploited, or lacks conformity. The intention of this information is to provide a reasonable description of products, procedures and capabilities. Rev.3