



Ph: 1300 214 015
 info@unisonjoints.com.au
 2/282 New Cleveland Rd
 Tingalpa, Queensland 4173



UNISON JOINTS Pty. Ltd.

Model:

Vt90-150PN
 (UPN90-150)

Project:

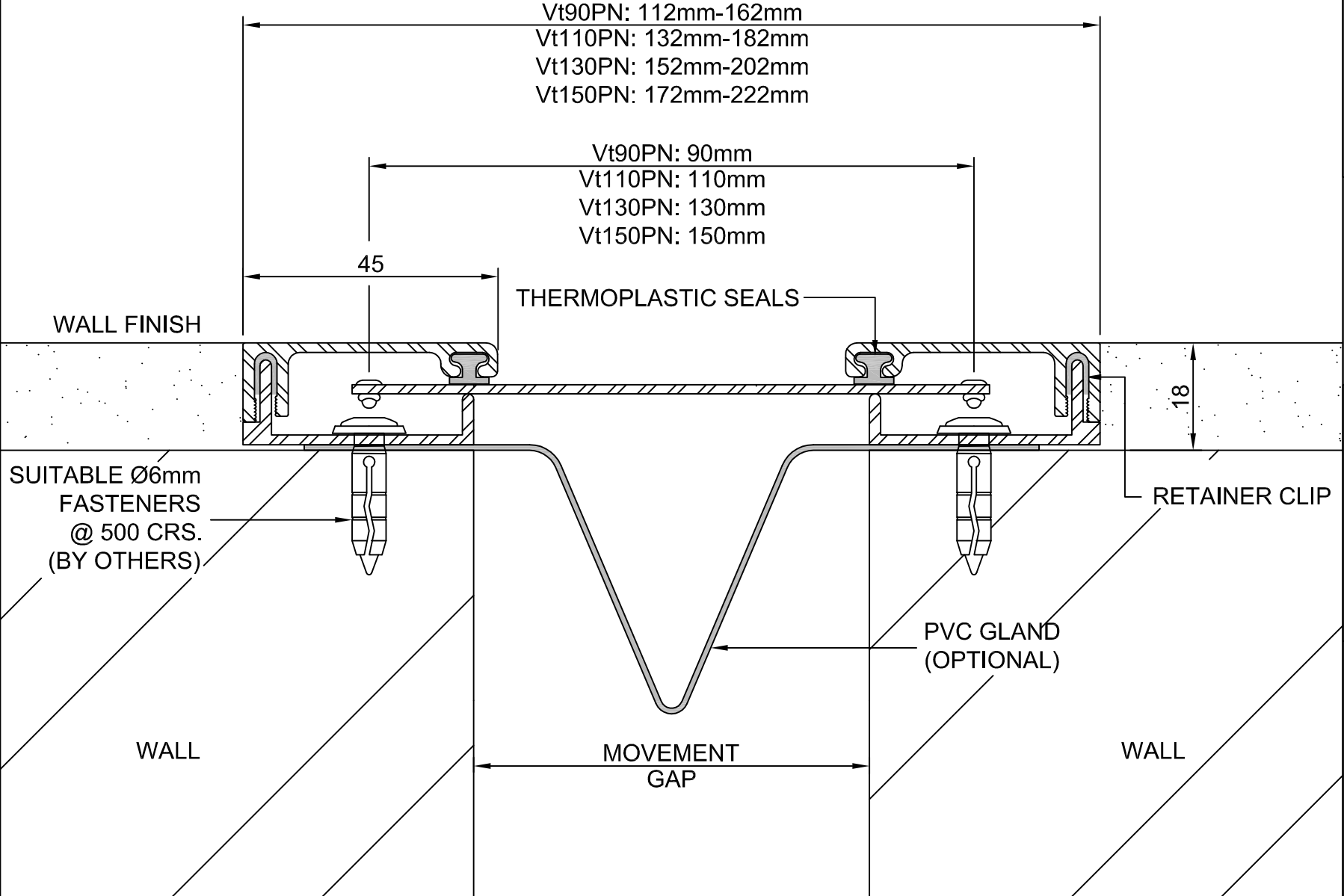
Material:

Anodised Aluminium

Do Not Scale

Vt90PN: 112mm-162mm
 Vt110PN: 132mm-182mm
 Vt130PN: 152mm-202mm
 Vt150PN: 172mm-222mm

Vt90PN: 90mm
 Vt110PN: 110mm
 Vt130PN: 130mm
 Vt150PN: 150mm



Disclaimer: All design rights reserved. Design and specifications are subject to change without notice. The manufacturer does not accept liability where the material on these pages is misconceived, exploited or lacks conformity. The intention of this information is to provide a reasonable description of products, procedures and capabilities. Rev.1