



Ph: 1300 214 015
 info@unisonjoints.com.au
 2/282 New Cleveland Rd
 Tingalpa, Queensland 4173

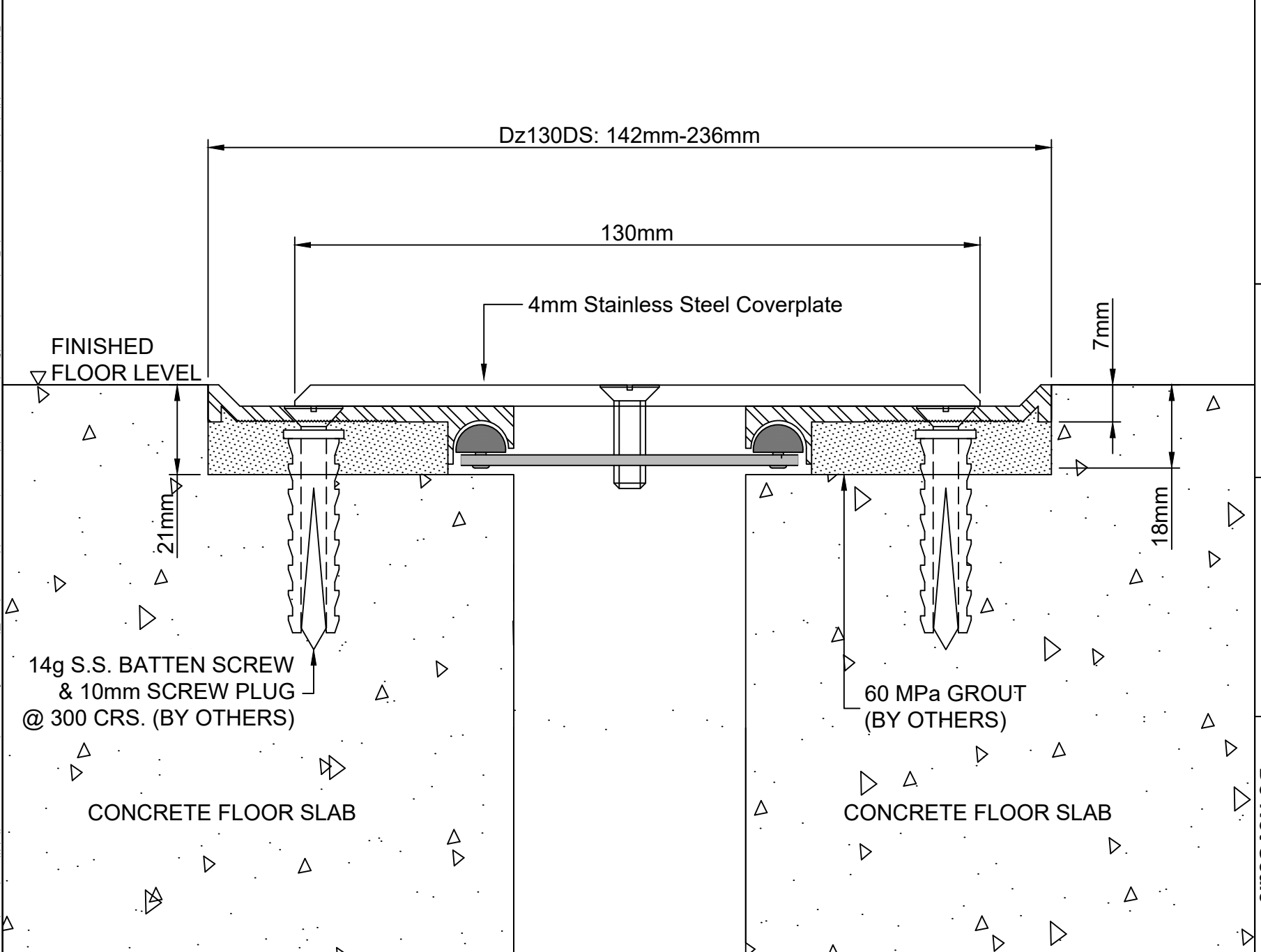
UNISON JOINTS Pty. Ltd.

Model:

Dz130DS
 (UADJS130)

Project:

Material:
Anodised Aluminium
Stainless Steel
Do Not Scale



Dz130DS: 142mm-236mm

130mm

4mm Stainless Steel Coverplate

7mm

18mm

21mm

FINISHED FLOOR LEVEL

14g S.S. BATTEN SCREW & 10mm SCREW PLUG @ 300 CRS. (BY OTHERS)

60 MPa GROUT (BY OTHERS)

CONCRETE FLOOR SLAB

CONCRETE FLOOR SLAB

Disclaimer: All design rights reserved. Design and specifications are subject to change without notice. The manufacturer does not accept liability where the material on these pages is misconceived, exploited or lacks conformity. The intention of this information is to provide a reasonable description of products, procedures and capabilities. Rev.5