



Ph: 1300 214 015
 info@unisonjoints.com.au
 21282 New Cleveland Rd
 Tingalpa, Queensland 4173

**UNISON
 JOINTS
 Pty. Ltd.**

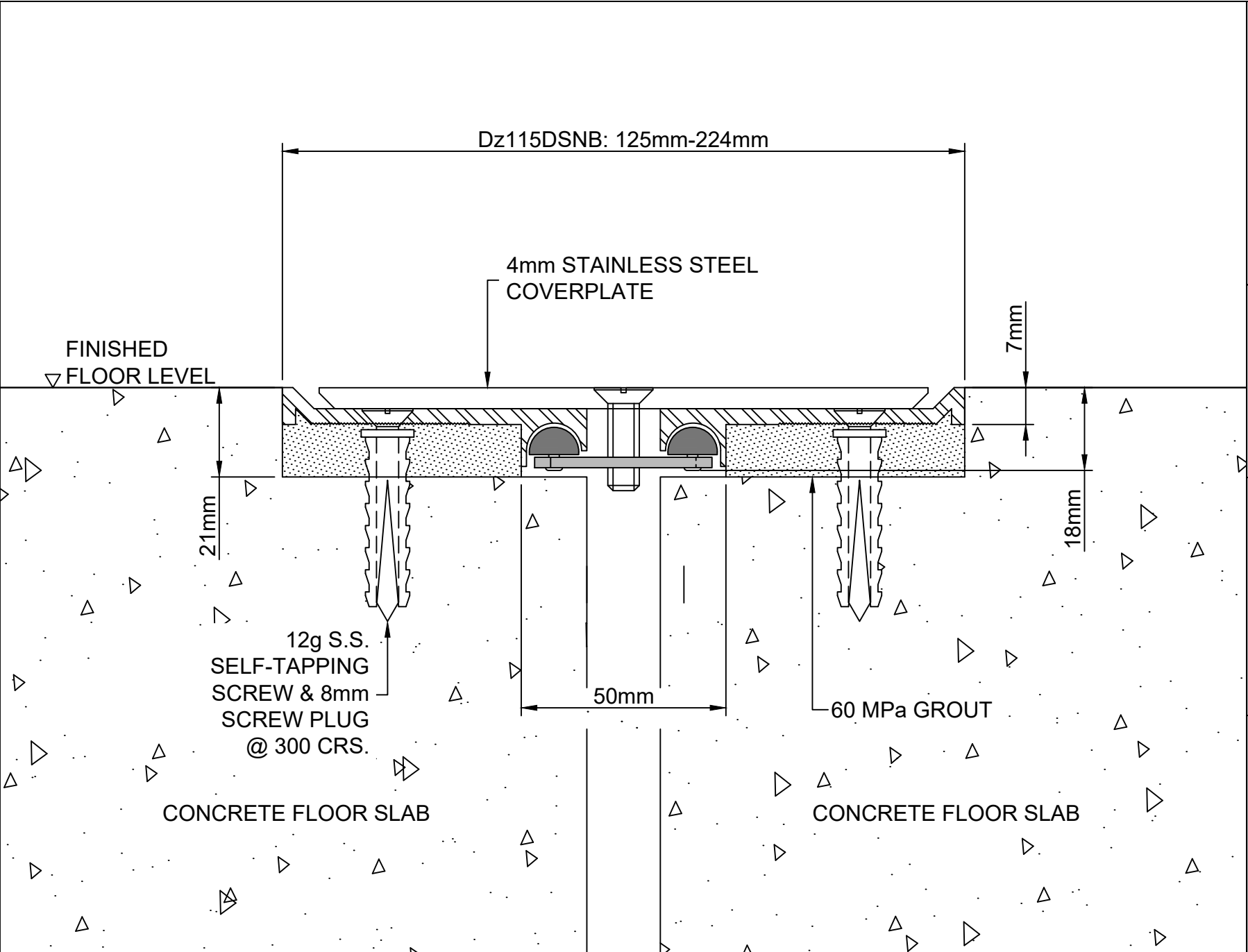
Model:

Dz115DSNB
 (UADJS115NB)

Project:

Material:

Anodised Aluminium
 Stainless Steel
Do Not Scale



Dz115DSNB: 125mm-224mm

4mm STAINLESS STEEL
 COVERPLATE

7mm

FINISHED
 FLOOR LEVEL

21mm

12g S.S.
 SELF-TAPPING
 SCREW & 8mm
 SCREW PLUG
 @ 300 CRS.

CONCRETE FLOOR SLAB

50mm

60 MPa GROUT

CONCRETE FLOOR SLAB

18mm